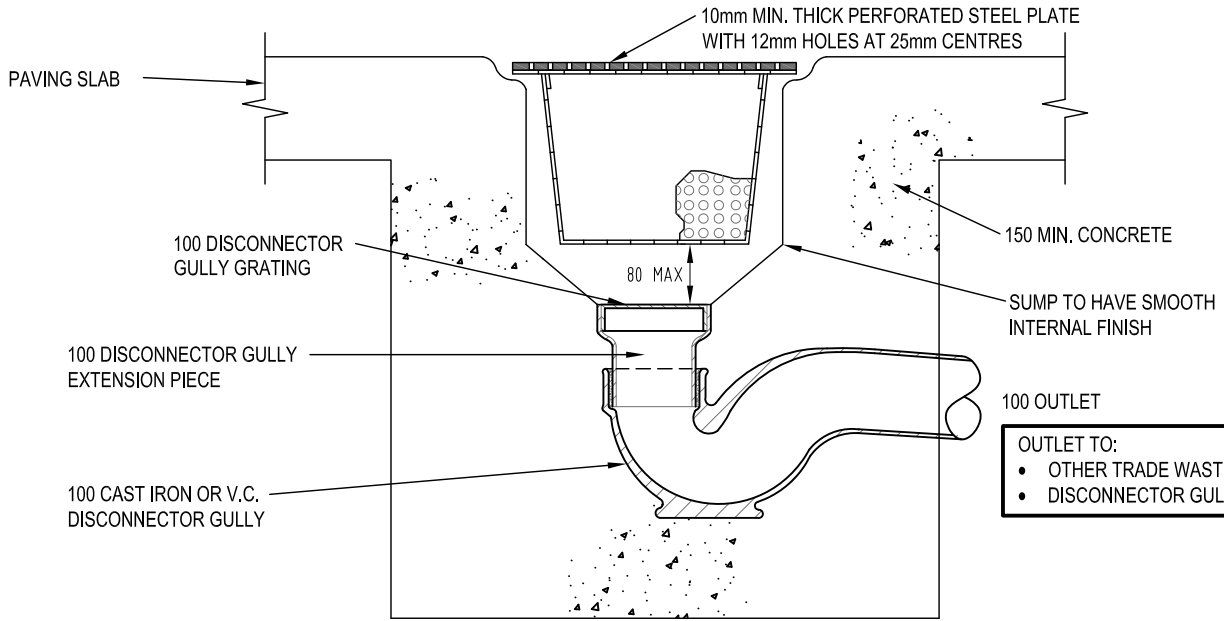


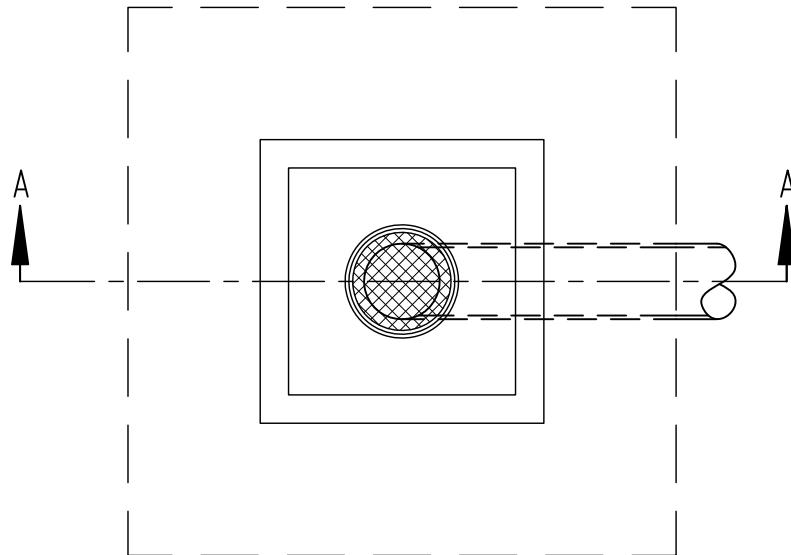
CWW PROJECT NUMBER:	MELWAY REFERENCE:	AUTHORISED:	CITY WEST WATER AUTHORIZED TO PROCEED:	REV. 0	ISSUED AS STANDARD DRAWING	DATE 08/09/10	APP'D
DESIGNED:	DATE:	DATE: / /	DATE: / /				
CHECKED:	DATE:	DATE: / /	DATE: / /				

STRAINING TRAP

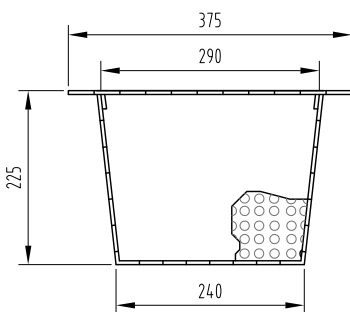


- OUTLET TO:**
- OTHER TRADE WASTE TREATMENT
 - DISCONNECTER GULLY

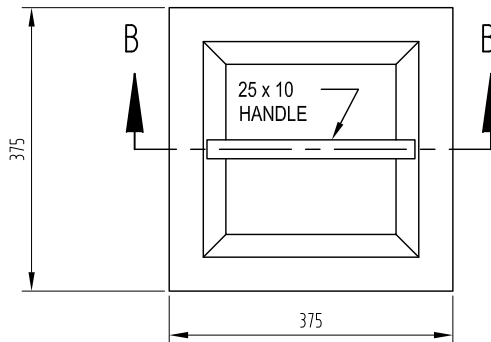
SECTION A-A



PLAN
(PERFORATED PLATE AND BASKET REMOVED)



SECTION B-B



PLAN

BASKET DETAILS

BASKET SPECIFICATION

BASKET TO BE CONSTRUCTED OF 2.5mm MIN. DIA. MILD STEEL WIRE WOVEN TO GIVE 7mm APERTURE WIDTHS ON A 32X32X3 ANGLE IRON FRAME WITH MITRED CORNERS. TOP TO BE WELDED TO ANGLE IRON FRAME. BASKET TO BE GALVANIZED AFTER FABRICATION.

ALTERNATIVELY THE BASKET MAY BE CONSTRUCTED FROM 3mm MIN. THICK MILD STEEL PLATE WITH 6mm MIN. DIA. HOLES AT 12mm CENTRES OVER THE ENTIRE AREA OF THE BASKET. BASKET TO BE GALVANIZED AFTER FABRICATION.

NOTE:

1. THE STRAINING TRAP MUST BE CONSTRUCTED, INSTALLED AND CONNECTED IN ACCORDANCE WITH THE RELEVANT PLUMBING REGULATIONS.
2. ALL DIMENSIONS ARE IN MILLIMETRES.

THIS DRAWING SUPERSEDES TRADE WASTE DRG. No. 3A



CITY WEST WATER LIMITED

TRADE WASTE
STANDARD DRAWING
STRAINING TRAP

SCALE: NTS	@ A4
SHEET: 1 OF 1	
DRAWING No.:	
TW-STD-002	0