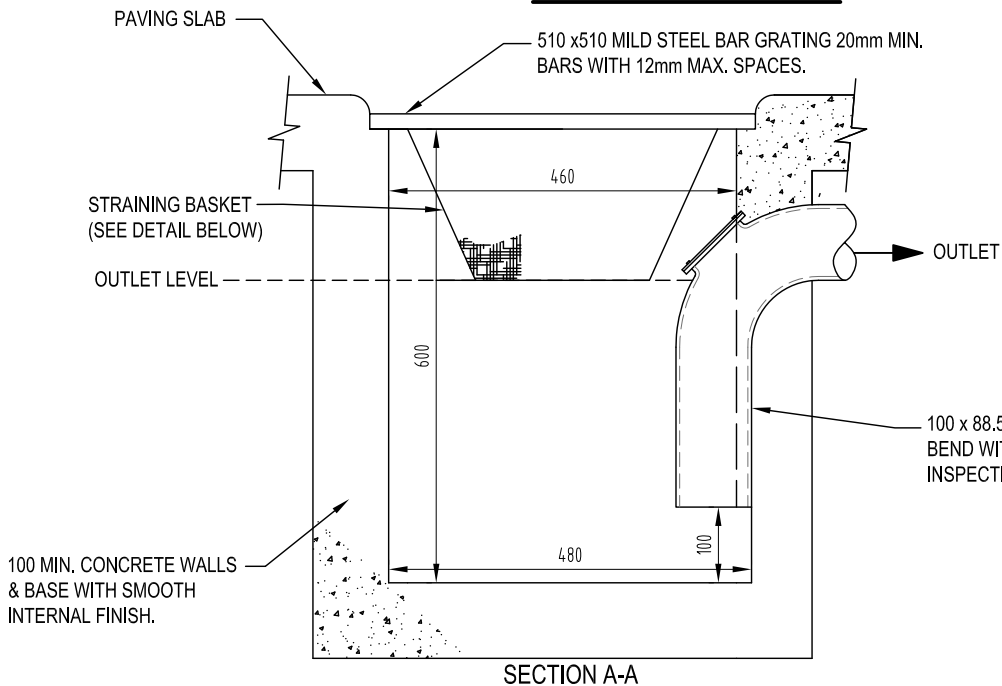


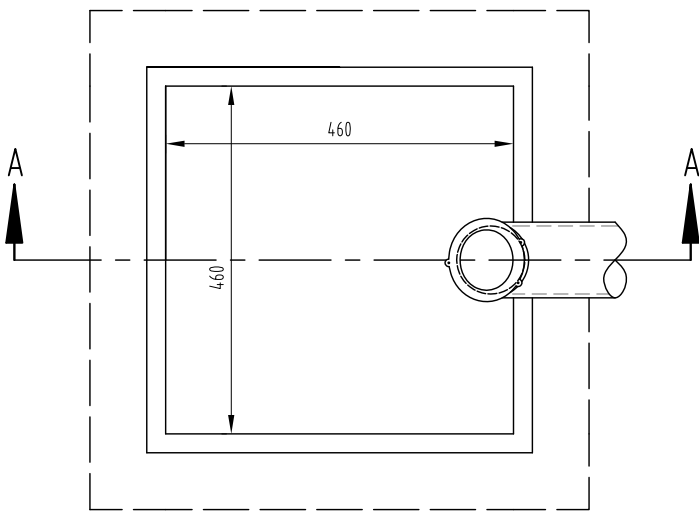
CWW PROJECT NUMBER:	MELWAY REFERENCE:	AUTHORISED:	CITY WEST WATER AUTHORITY TO PROCEED:	REV. 0	DESCRIPTION	DATE	APP.'D
DESIGNED:					ISSUED AS STANDARD DRAWING	08/09/10	
CHECKED:							
DATE:		DATE: / /	DATE: / /				

# STRAINING PIT



**OUTLET TO:**

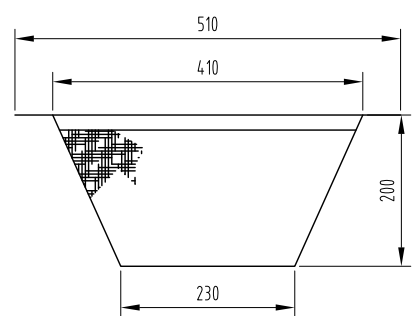
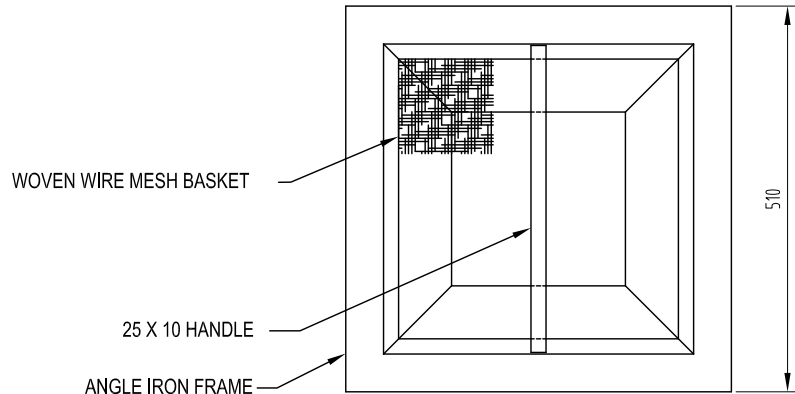
- OTHER TRADE WASTE TREATMENT
- DISCONNECTOR GULLY



## BASKET SPECIFICATION

BASKET TO BE CONSTRUCTED OF 2.5mm MIN. DIA. MILD STEEL WIRE WOVEN TO GIVE 7mm APERTURE WIDTHS ON A 32x32x3 ANGLE IRON FRAME WITH MITRED CORNERS. TOP TO BE WELDED TO ANGLE IRON FRAME. BASKET TO BE GALVANISED AFTER MANUFACTURE.

ALTERNATIVELY THE BASKET MAY BE CONSTRUCTED FROM 3mm MIN. THICK MILD STEEL PLATE WITH 6mm DIA. HOLES AT 12mm CENTRES OVER THE ENTIRE AREA OF THE BASKET. THE BASKET TO BE GALVANISED AFTER MANUFACTURE.



### NOTE:

1. PIT TO BE CONNECTED AS SPECIFIED IN THE CONSENT FOR INSTALLATION
2. THE STRAINING PIT MUST BE CONSTRUCTED INSTALLED AND CONNECTED IN ACCORDANCE WITH THE RELEVANT PLUMBING REGULATIONS
3. ALL DIMENSIONS ARE IN MILLIMETRES

## BUCKET DETAILS

THIS DRAWING SUPERSEDES TRADE WASTE DRG No. 4A

 <b>City West Water</b> LIMITED <small>A.B.N. 70 066 902 467</small>	<b>CITY WEST WATER LIMITED</b>	SCALE: NTS @ A4
	TRADE WASTE STANDARD DRAWING STRAINING PIT	SHEET: 1 OF 1
		DRAWING No.: TW-STD-003 0