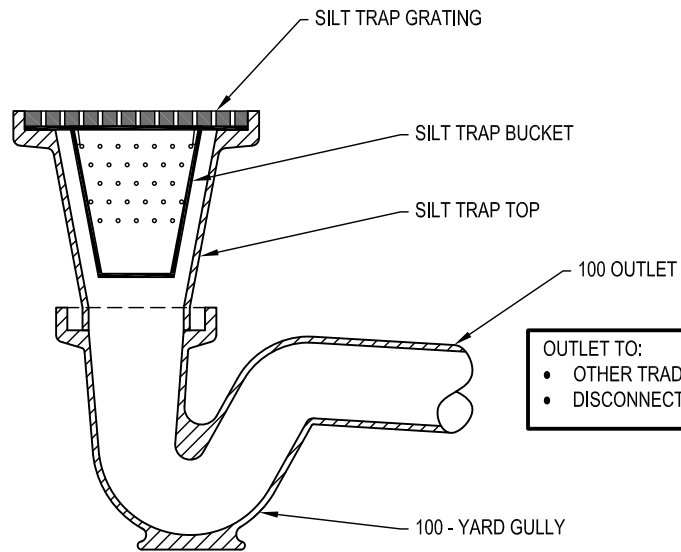
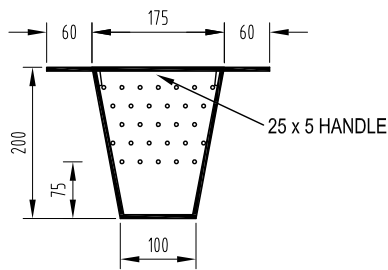


CWW PROJECT NUMBER:	MELWAY REFERENCE:	AUTHORISED:	CITY WEST WATER AUTHORIZED TO PROCEED:	REV.	DESCRIPTION	DATE	APP'D
DESIGNED:				0	ISSUED AS STANDARD DRAWING	08/09/10	
CHECKED:							
DATE:		DATE: / /	DATE: / /				

SILT TRAP



SILT TRAP ASSEMBLY



BASKET DETAILS

BASKET SPECIFICATION

BASKET TO BE CONSTRUCTED OF 3mm MIN. THICK MILD STEEL PLATE WITH 5 ROWS OF 10mm DIAMETER HOLES AT 25mm CENTRES

BUCKET TO BE GALVANISED AFTER FABRICATION

NOTE:

1. ALTERNATIVE TRAP MAY BE CONSTRUCTED USING CAST IRON PIPES AND FITTINGS WITH APPROVED JOINTS.
2. TRAP TO CONNECTED AS SPECIFIED IN THE CONSENT FOR INSTALLATION.