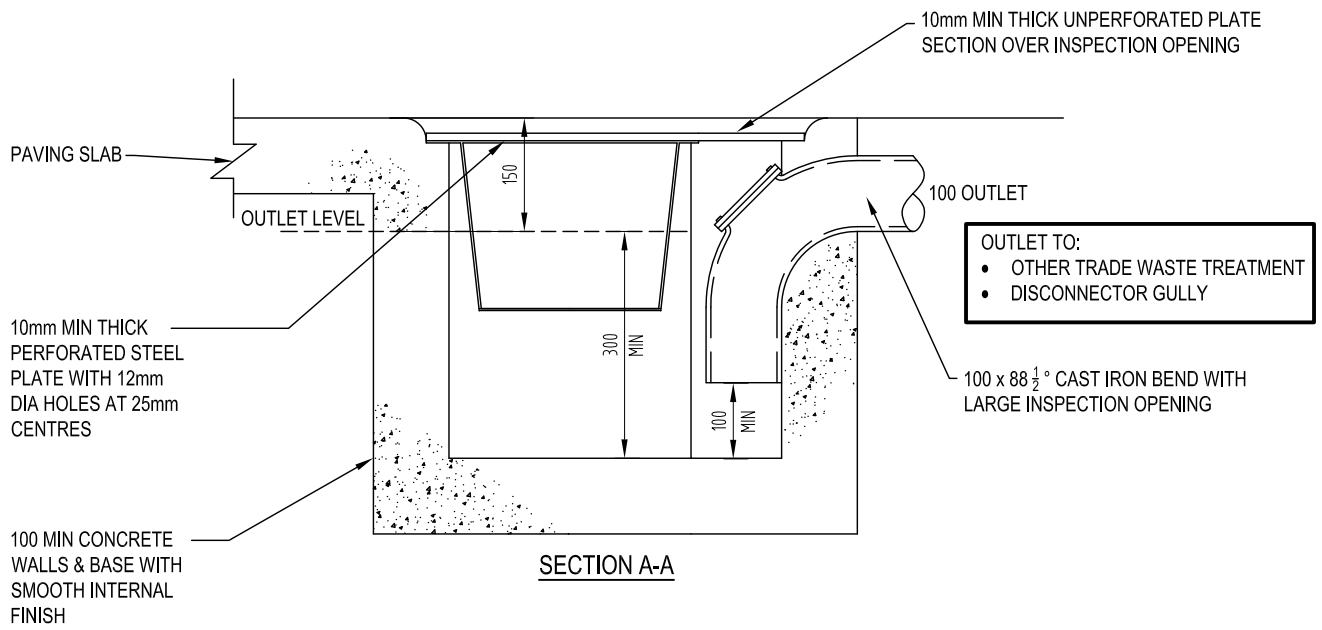
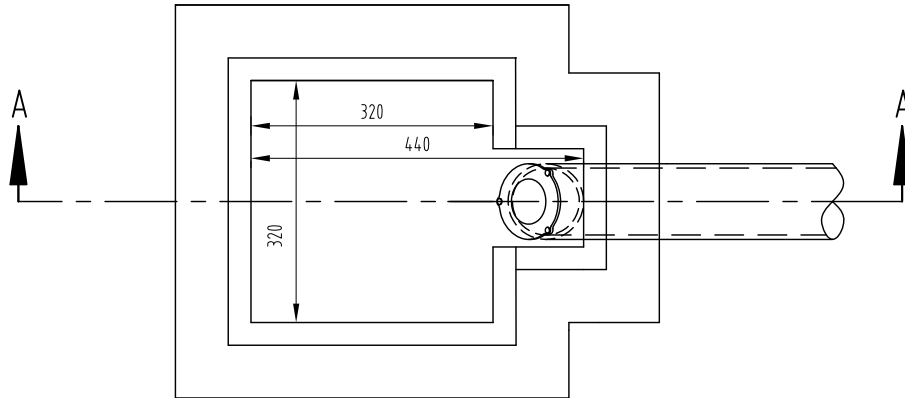


CWW PROJECT NUMBER:	MELWAY REFERENCE:	AUTHORISED:	CITY WEST WATER AUTHORIZED TO PROCEED:	REV.	DESCRIPTION	DATE	APP'D
DESIGNED: C.GRIERSON DATE: 29-05-09				0	ISSUED AS STANDARD DRAWING	13.10.09	
CHECKED:							
DATE:	DATE: / /	DATE: / /	DATE: / /				

# SILT PIT



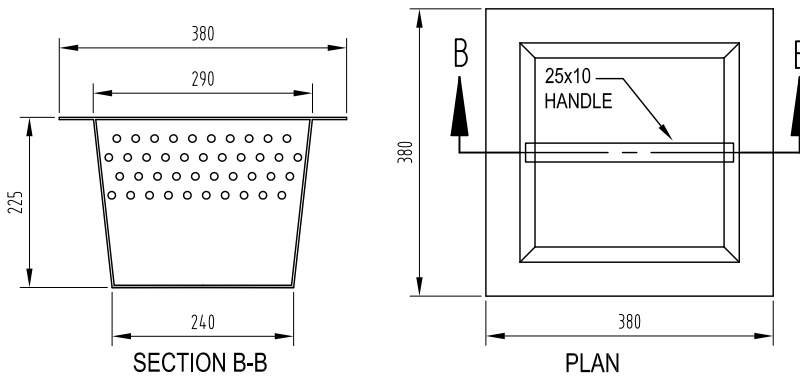
SECTION A-A



PLAN

## PIT DETAILS

( BUCKET AND GRATING REMOVED )



BUCKET DETAILS

## BUCKET SPECIFICATION

BUCKET TO BE CONSTRUCTED OF 3mm MIN. THICK MILD STEEL PLATE WITH 4 ROWS OF 10mm DIA. HOLES AT 25mm CENTRES. THE BUCKET TO BE GALVANIZED AFTER FABRICATION

**NOTE:**

1. SIZES SHOWN ARE MINIMUM PERMISSIBLE DIMENSIONS
2. PIT TO BE CONNECTED AS SPECIFIED BY CITY WEST WATER
3. ALL DIMENSIONS ARE IN MILLIMETRES.

THIS DRAWING SUPERSEDES TRADE WASTE DRG. No. 2A



**CITY WEST WATER LIMITED**

TRADE WASTE  
STANDARD DRAWING  
SILT PIT

SCALE: N.T.S.	@ A4
SHEET: 1 OF 1	
DRAWING No.:	
TW-STD-001	0